

FL345 Floodlight

Award winning design, selected by the Design Council. A compact post-top mounted floodlight with the first internally adjustable reflector providing the ability to give various light distributions with no change in the floodlight's appearance. Suitable for unobtrusively lighting wide city street and pedestrian crossings.

FEATURES

- Fitted with an internally adjustable 5-position reflector.
- Black aluminium body and white GRP canopy.
- High-temperature resistant toughened glass front.
- Integral control gear.
- Elliptical lamps (100w to 250w) can be fitted.

OPTIONS AND EXTRAS

- NEMA socket/photocell and Miniature photocell options.
- Choice of RAL colours at extra cost – see inside back cover for details.
- Wall bracket options.

Recommended Applications: Car parks, sports facilities, industrial areas, town centres, garages, pedestrian crossings.

Suggested Column: 6 - 12m, for post-top or wall-mounted fixing.

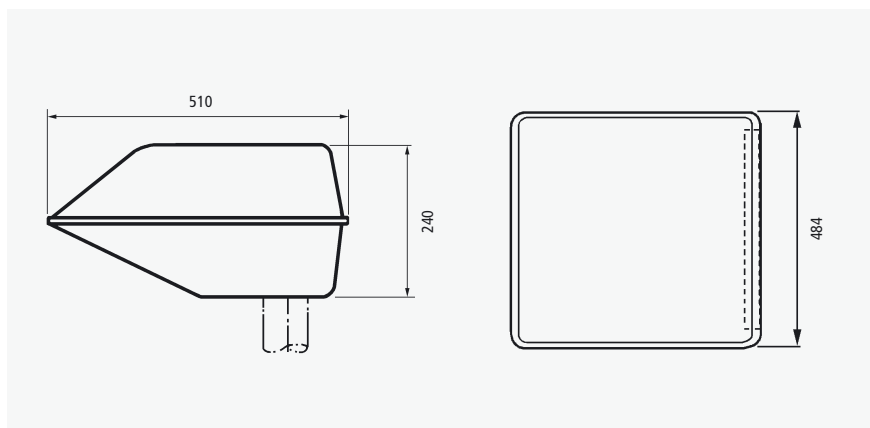
Wind area: 0.11m²

Spigot PT: 76mm x 76mm

IP54



FL345



FL345



FL345 Oakhampton

| Description | Product Number | Weight |
|---------------------------|----------------|---------|
| Luminaire Reference | FL345 | 10.7 kg |
| 100w SON/T control gear | 100SONT | 2.1 kg |
| 150w SON/T control gear | 150SONT | 2.8 kg |
| 250w SON/T control gear | 250SONT | 3.9 kg |
| 400w SON/T control gear | 400SONT | 5.3 kg |
| 100w CDM control gear | 100CDMTT | 2.1 kg |
| 150w CDM control gear | 150CDMTT | 2.8 kg |
| 250w MBI control gear | 250MBIT | 3.9 kg |
| 400w MBI control gear | 400MBIT | 5.3 kg |
| Options | | |
| NEMA photocell socket | NEMA | - |
| Miniature photocell | MINI | - |
| Wall Bracket | WB543 | - |
| Special colour RAL number | RAL | - |



FL345 Pedestrian crossing



FL345 on Forest column



FL345 Oakhampton



FL345 Regent Street