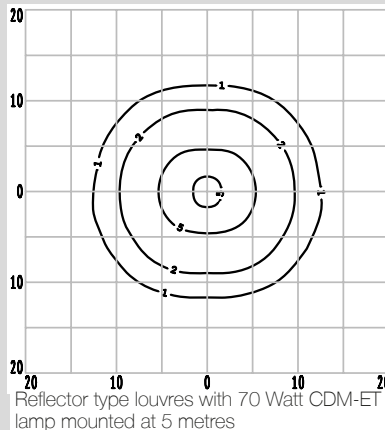
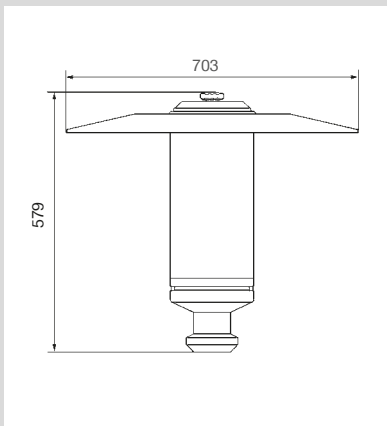




# P560



Recommended Applications:

Minor roads, residential areas, shopping areas, car parks, cycleways, rail, airports

Mounting Height:

3 - 6m for post-top fixing

Wind area:

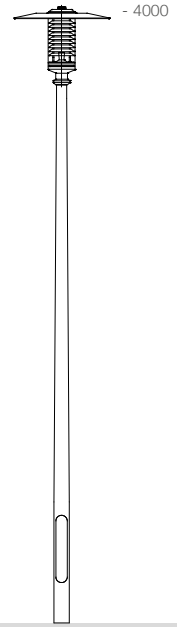
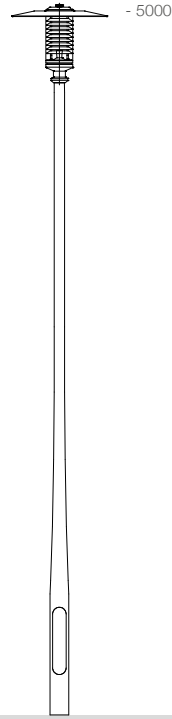
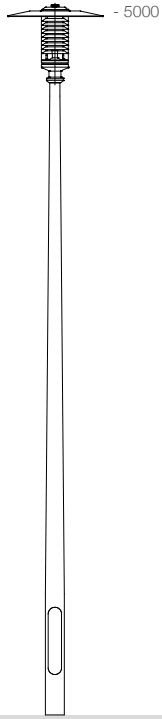
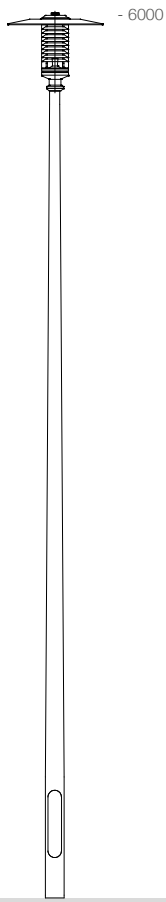
0.12m<sup>2</sup>

Spigot:

PT: 76mm x 76mm

IP Rating:

IP54



Mounted on CU Phosco TT column

## P560

A modern aesthetic luminaire, the P560 is a post-top fitting with a cylindrical design basis and strong lines.

### MATERIALS AND FINISHES

- Black powder coated cast aluminium base (which houses the control gear)
- Clear cylindrical bowl
- Large spun aluminium canopy, powder-coated white on the underside and black on the top surface
- IP54 sealed lamp and gear compartment for minimum cleaning
- Louvres for symmetrical light distribution

### OPTIONS AND EXTRAS

- Refractor for asymmetrical light distribution
- Miniature photocell option
- Choice of RAL colours at extra cost
- Option of pre-wiring with suitable length of cable

# Architectural Lighting

Architectural lighting covers those luminaires not “heritage” in style, which have a design which is more than simply functional. Their design matches technical requirements with modern aesthetics to provide a sympathetic environmental solution.

The photometric performance is important and many of CU Phosco Lighting's amenity luminaires have the same performance as their road lighting range.

New lamps are continuously being developed and the CDO lamp is particularly suitable for traditional lighting as it gives a very white light up to 92 Lumens per Watt efficiency level. CU Phosco Lighting's 70W CDM/CDO reflector can be fitted to many of our traditional fittings. LED versions of luminaires are in development - please refer to the LED section of this catalogue.

P560 Lantern			Wind Area	0.12m <sup>2</sup>	
Description	Product Number	Weight	Description	Product Number	Weight
Luminaire reference	P560	6.3 kg			
50W SON control gear	50SON	1.6 kg	50W SON electronic control gear	50SONELE	0.5 kg
70W SON control gear	70SON	1.9 kg	70W SON electronic control gear	70SONELE	0.5 kg
35W CDM control gear	35CDM	1.6 kg	35W CDM electronic control gear	35CDMELE	0.2 kg
70W CDO control gear	70CDO	1.9 kg	70W CDO electronic control gear	70CDMELE	0.5 kg
42W PLT control gear	42PLT	0.2 kg	45W Cosmopolis control gear	45COSMO	0.9 kg
57W PLT control gear	57PLT	0.2 kg	60W Cosmopolis control gear	60COSMO	0.9 kg
Options					
Miniature 1 part photocell				PC	
Special colour RAL number				RAL	
Pre-wired with suitable length of cable				CBL	